



# Quick Release Mounts

## 4 Sim Rigs

*Change your rig in seconds, spend more time in the game!*

**The QRMax System is designed for rapid mount and dismount of Wheels, Yokes and Throttle Quadrants to and from your rig**

**Note: you will need a QRMax Base Plate to use this adapter.**

### Fitting the QRMax Honeycomb Alpha/Bravo Plate to your Honeycomb Alpha/Bravo Dual Mount Base Plate

- Remove the Honeycomb Dual Mount Base Plate from your Alpha or Bravo, you will be attaching the QRMaxHCAB plate to this.  
More information on attaching removing the Dual Mount Base Plate can be found on Youtube [here](#)



*Honeycomb Dual Mount Base Plate*

- Place the Dual Mount Base Plate plate in the same orientation, on top of the QRMaxHCAB plate. Aligning the 4 holes.
- Use the 4 screws provided through the 4mm countersunk holes in the Dual Mount Base Plate into the QRMaxHCAB plate.
- Tighten to the pinch, do not overtighten and take care not to cross the threads.

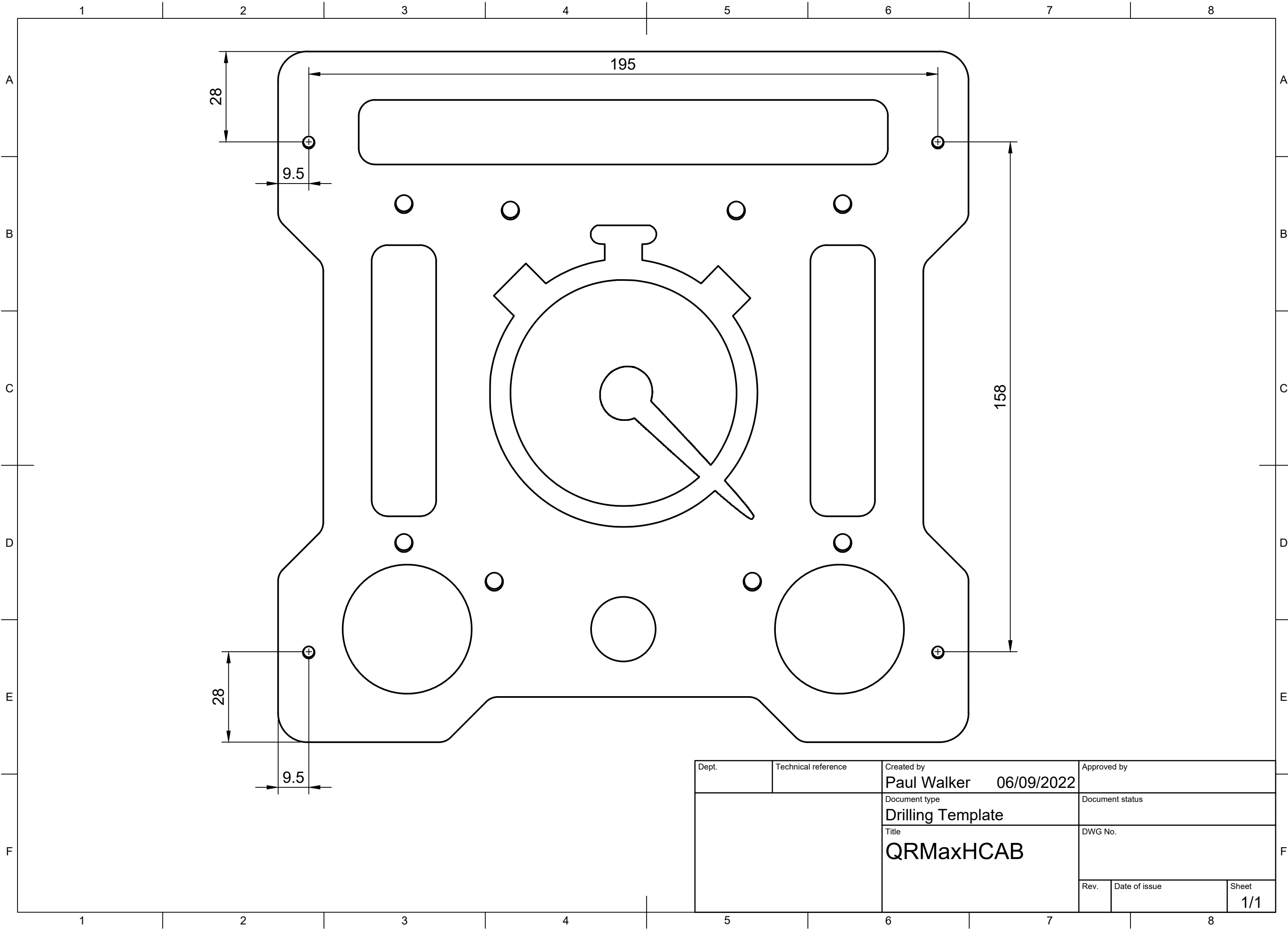


*QRMax Honeycomb Alpha/Bravo Plate (QRMaxHCAB)*

- Attach the Dual Mount Base Plate to the Honeycomb Alpha or Bravo in the usual way

**Attention: If you have the earlier models that come with the first edition of the Honeycomb Alpha/Bravo Dual Mount Base Plate, the through holes will not be present and you will have to drill them and countersink them yourself to enable you to mount to the QRMax Honeycomb Plate. A drilling guide is available on the next page.**

If you require further support, please used the [contact form on our website](#), or email us directly [sales@qr4rigs.com](mailto:sales@qr4rigs.com), we will be more than happy to help you.



Dept.	Technical reference	Created by <b>Paul Walker</b> 06/09/2022	Approved by
		Document type <b>Drilling Template</b>	Document status
		Title <b>QRMachHCAB</b>	DWG No.
	Rev.	Date of issue	Sheet <b>1/1</b>