



Quick Release Mounts 4 Sim Rigs

Change your rig in seconds, spend more time in the game!

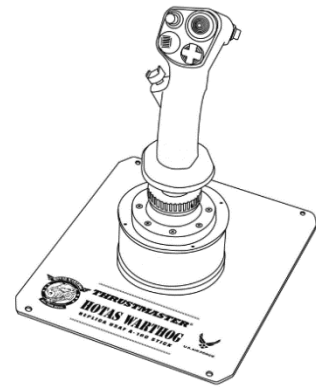
The QRDee System is designed for rapid mount and dismount of Joysticks to and from your rig

Note: you will need a QRDee Base Plate to use this adapter.

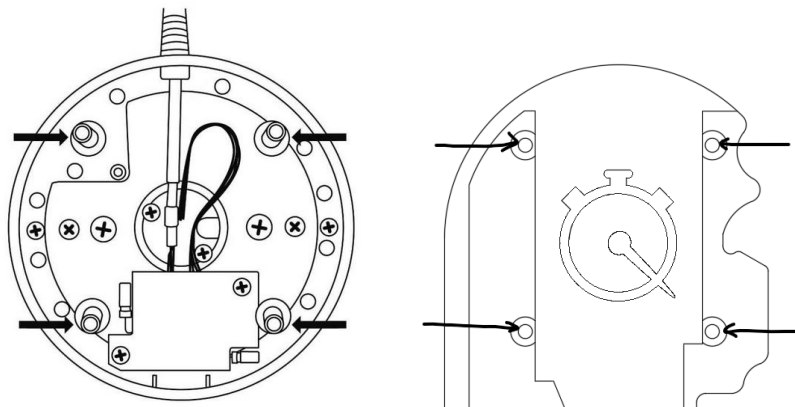
Fitting the QRDee Plate to your Thrustmaster Warthog Joystick

- Flip over the joystick so you can see the underside of the baseplate (the large square plate at the bottom in the picture)
- Unscrew the 4 screws located underneath the joystick's metal base plate, and remove the metal base plate.

Read more: [Download Official Manual](#)



- Use the 4 screw threads located on the underside of the joystick to attach the joystick directly to your QRDee Plate with the 4 screws provided and make sure the USB cord is pointing in the same direction the rounded edge of the plate as shown. Tighten to the pinch.



If you require further support, please use the [contact form on our website](#), or email us directly sales@qr4rigs.com, we will be more than happy to help you.