



Quick Release Mounts

4 Sim Rigs

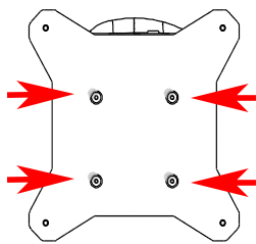
Change your rig in seconds, spend more time in the game!

The QRDee System is designed for rapid mount and dismount of Joysticks to and from your rig

Note: you will need a QRDee Base Plate to use this adapter.

Fitting the QRDee Plate to your Winwing Orion2 Joystick Base

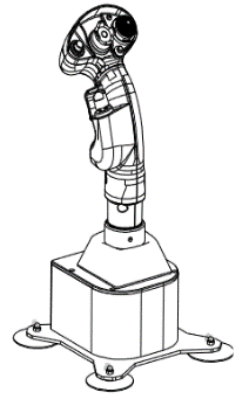
- Flip over the joystick so you can see the underside of the baseplate (the plate with suction cups on at the bottom in the picture)



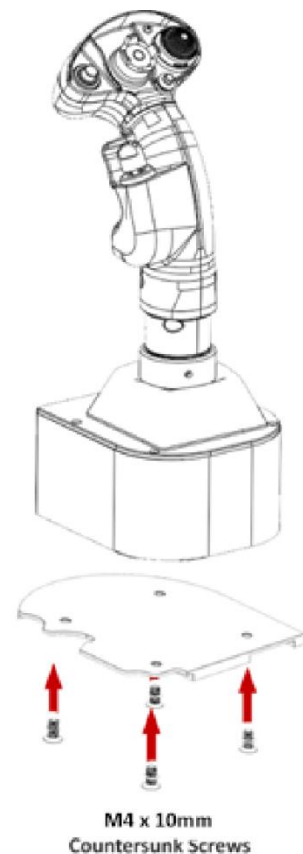
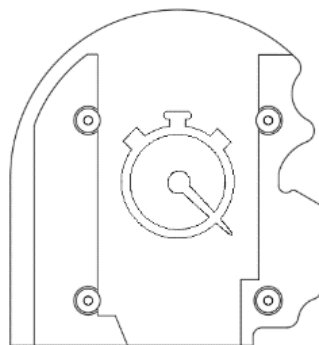
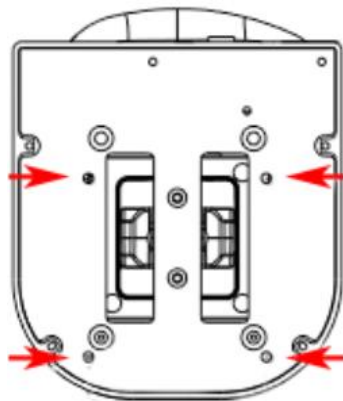
- Unscrew the 4 screws located underneath the joystick's metal base plate, and remove the metal base plate.

- Store the base plate and screws somewhere safe.

Read more: [Download Official Manual](#)



- Use the 4 screw threads located on the underside of the joystick to attach the joystick directly to your QRDee Plate with the 4x M4x10mm screws provided.
- Note the orientation. Tighten to the pinch.



M4 x 10mm
Countersunk Screws

If you require further support, please use the [contact form on our website](#), or email us directly support@qr4rigs.com, we will be more than happy to help you.