



Quick Release Mounts

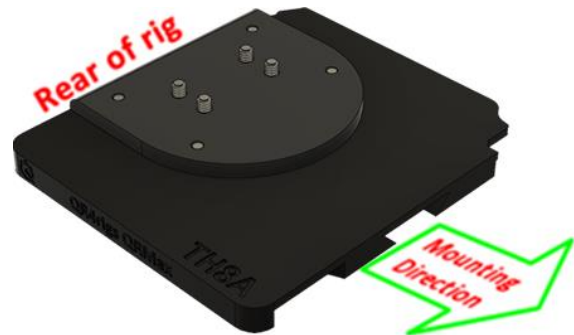
4 Sim Rigs

Change your rig in seconds, spend more time in the game!

The QRMax System is designed for rapid mount/dismount of controllers to the wheel deck on your rig!

Note: you will need a QRMax Base Mount to use this adapter.

- The QRMax QR System is designed for controllers to mount from the rear of the rig towards the front by default, however you may want to mount your TH8A from a different direction as the shifter itself can be rotated within its own shell.



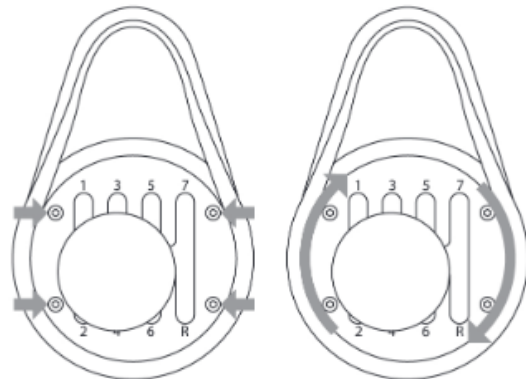
Before you fit your QRMax Thrustmaster TH8A Gearstick Quick Release Plate

POSITIONING AND ROTATING THE SHIFT PLATES (CAN BE ADJUSTED BY 360°)

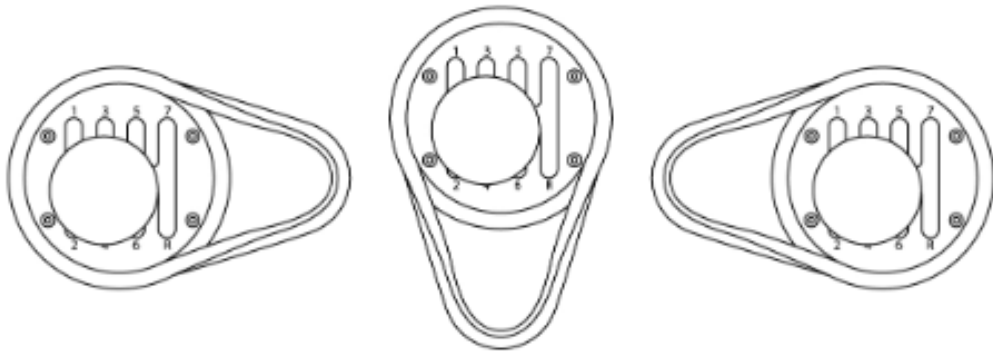
1. Using a 2.5 mm Allen key (included with the TH8A), slightly unscrew the 4 screws holding the shift plate in place.

The shift plate can now be rotated manually by 360°.

- For the purposes of these instructions, we will assume we want to mount the TH8A from the rear of the rig towards the front and therefore we will keep the default rotation and orientation of the TH8A as it comes out of the box as shown here.

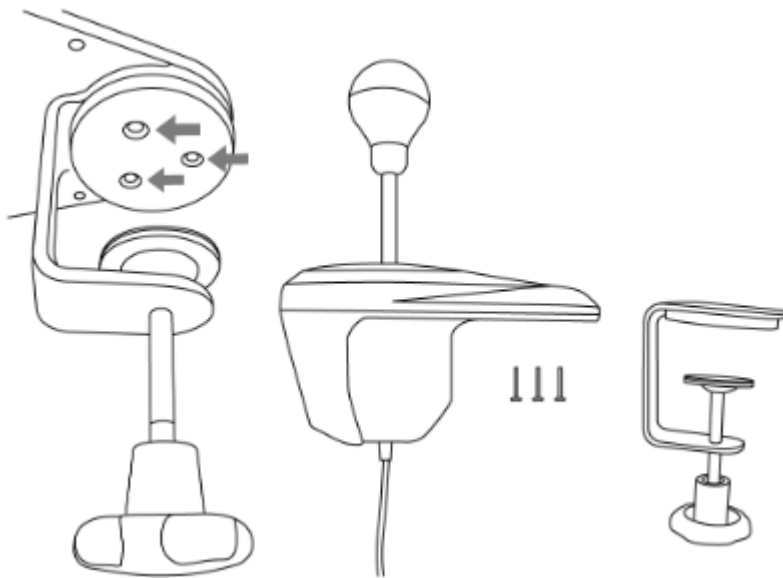


2. If you wish to change the orientation, select your preferred position along the 360° of rotation (3 examples are shown below, among the many other possibilities available).

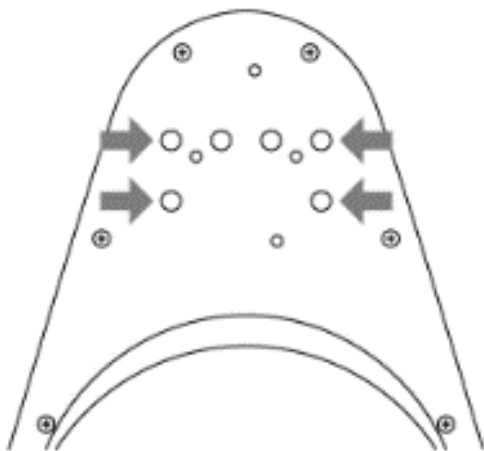


REMOVING THE CLAMP

1. Using a 2.5 mm Allen key, completely unscrew and remove the 3 screws holding the clamping system) in place. Detach the clamping system from the shifter.



Fitting the QRMax Thrustmaster TH8A Gearstick Quick Release Plate Kit

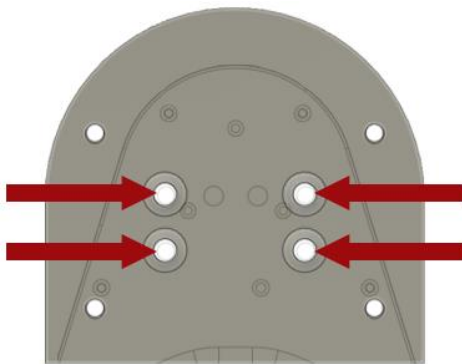
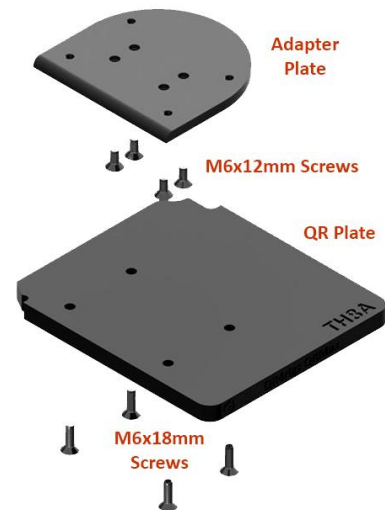


- With your TH8A gearstick upside down and the clamp now removed you can now see and locate the 4 mounting holes in the body.

- Locate the fixing holes on the underside of the QRPro TH8A QR Plate.

NOTE: The QRMax Base Mount fitted to your rig, must be aligned with the edge of the wheel table or other mounting point on your rig

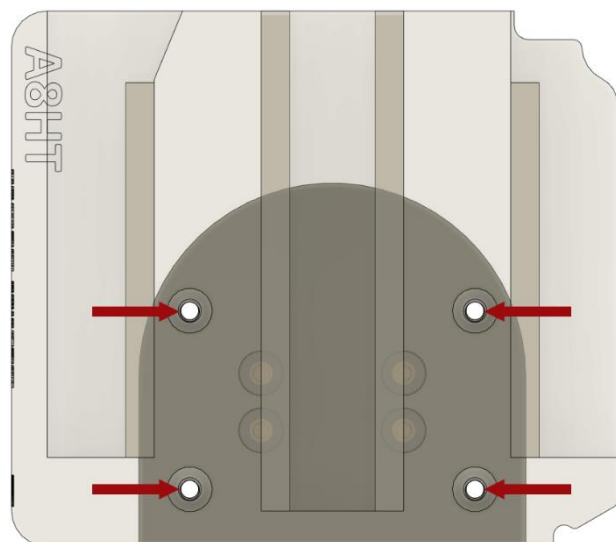
The QRMax TH8A QR Plate Kit comes in 2 pieces, the Adapter Plate and the QR Plate and 2 sets of screws as shown to the right.



- Align the Adapter Plate with the holes in the TH8A
- Note the orientation of the Adapter Plate in the picture on the left.
- Secure the Adapter Plate to the TH8A with the 4x M6x12mm Screws provided in the QRMax TH8A kit.

- Tighten to the pinch and then 1/16th turn.

- Align the holes in the QR Plate with the holes on the underside of the Adapter Plate
- Note the orientation of the both plates in the picture on the right.
- Secure the QR Plate to the Adapter Plate/TH8A assembly with the 4x M6x18mm Screws provided in the QRMax TH8A kit.



IMPORTANT: Do NOT overtighten any of the screws.