



# Quick Release Mounts

## 4 Sim Rigs

Change your rig in seconds, spend more time in the game!

**The QRMin System is designed for rapid mount and dismount of Rudder Pedals and Racing Pedals to and from your rig**

### Fitting the QRMin Logitech G29/920/923 Pedal Quick Release Plate Kit to your Logitech Pedals

This kit fits most Logitech Pedals ranging from G25 thru' G923 and maybe more.

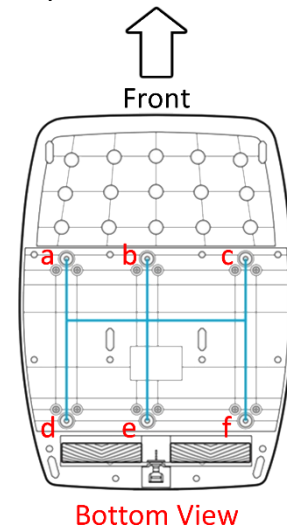
Shown here is the underside of the pedals, there are six M6 Mounting holes (a-f), we are going to use all of these to mount the pedals to the QRMin Plate Kit

The kit comes partly assembled and has text on 4 of the parts to help you assemble it.



The kit comes with 4x M6x16mm Allen screws and 2x M6x22mm Allen screws

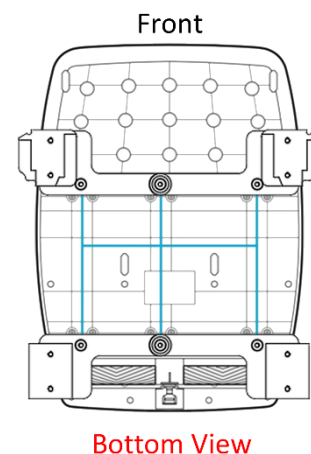
There are 4 standoff's, 2 large and 2 small.



- If you have the **QRMin Base Quick Release Plate Kit x4 only** then you need to use the large standoffs for the front and the rear assemblies.
- If you have the **QRMin Base Quick Release Plate Kit x2, x3 or x5** then you need to use the smaller standoffs for the front and the rear assemblies.

Turn your pedals so you can see the underside and loosely fit the 4 plates together and again loosely, fit the **M6x16mm** screws provided through the bottom of the plates into holes **a, c, d and f** and through the appropriate stand offs to the bottom of the middle holes **b and e** using the **M6x22mm** screws.

Do a final alignment and tighten all the screws a bit at a time until just past the pinch.



If you require further support, please use the [contact form on our website](#), or email us directly [sales@qr4rigs.com](mailto:sales@qr4rigs.com), we will be more than happy to help you.