



Quick Release Mounts

4 Sim Rigs

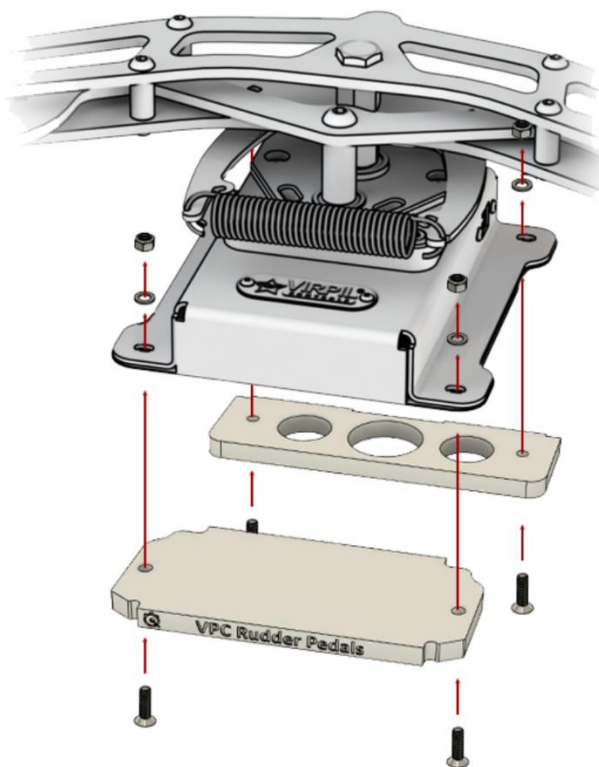
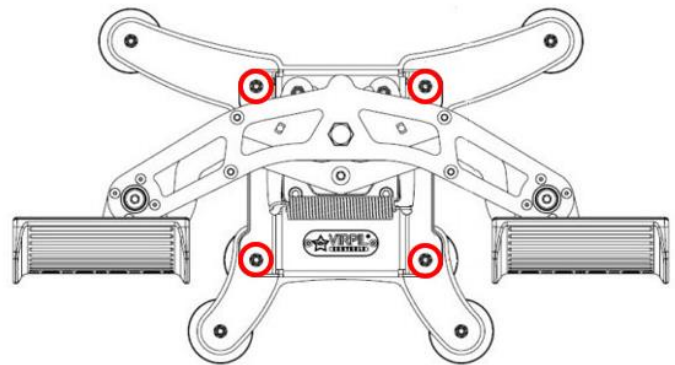
Change your rig in seconds, spend more time in the game!

The QRMin System is designed for rapid mount and dismount of Rudder Pedals and Racing Pedals to and from your rig

Note: you will need a QRMin Base Plate x2 to use this Kit

Fitting the QRMin VPC Rudder Quick Release Plate Kit to your Virpil (VPC) Rudder Pedals

- If fitted, remove the legs and feet by unscrewing then nuts shown circled in red



- Pass the four M5x16mm Screws through each of the QRMin VPC Rudder pedal plates as shown to the left, noting the orientation of the plates themselves and in relation to the Rudder Pedal base.
- Ensure you place the plates as centralised as possible to the base.
- Add a washer and nut on top of the Rudder Pedal base and fix in place.
- You will need to hold the nuts in place with an 8mm Socket or spanner to tighten the screws.

DO NOT OVERTIGHTEN the screws, to the pinch and 1/16th of a turn is sufficient.

If you require further support, please use the [contact form on our website](#), or email us directly support@qr4rigs.com, we will be more than happy to help you.