



Quick Release Mounts **for** Sim Rigs

QR4rigs®

Change your rig in seconds, spend more time in the game!

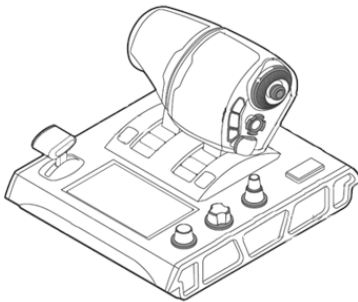
The QRPro System is designed for rapid mount and dismount of controllers to and from your rig

NOTE: you will need 2x QRPro Base Mounts to use with this kit.

Fitting the QRProTBVOFD QR Plate Kit to your Turtle Beach Velocity One Flightdeck HOTAS

- The kit comprises of two unassembled QR Plates and Adapter plates
- The QR Plates are identical, but the Adapter plates are specific to Stick and Throttle and are labeled on the underside.

NOTE: The throttle is shown in this example fitting procedure below, but the same procedure is used for the stick.

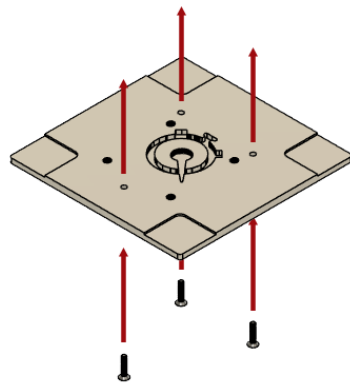


There are 3x M4 mounting holes on the underside of the base of each controller.

- Using 3x M4x18mm CSK Screws provided, fit the Throttle Adapter plate to the controller as shown left.

- Tighten the screws DO NOT overtighten or you may strip the thread inside the controller.

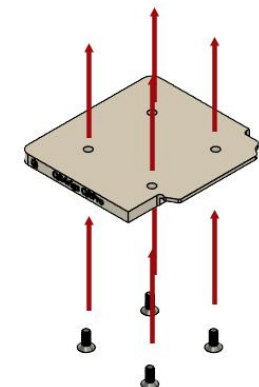
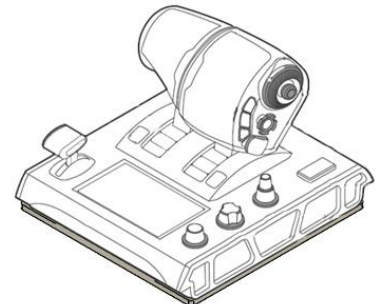
- Using 4x M6x14mm CSK Screws provided, fit the QR Plate to the Adapter plate as shown right.



3x M4x18mm CSK screws
your convenience.

- Tighten the screws to the pinch but DO NOT overtighten or you may strip the thread inside the Adapter Plate.

- Repeat the procedure with the Stick using the Stick specific Adapter Plate..



4x M6x14mm CSK Screws

DO NOT overtighten any of the screws or you will risk stripping the threads!

If you require further support, please use the [contact form on our website](#), or email us directly support@qr4rigs.com, we will be more than happy to help you.