



**Quick Release Mounts for Sim Rigs**

**QR4rigs®**

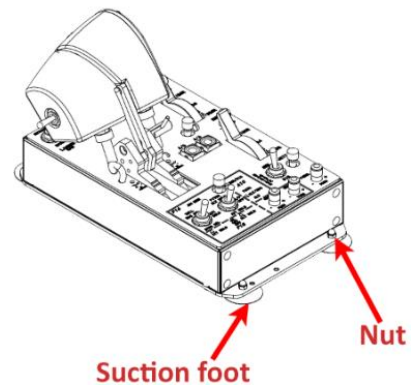
*Change your rig in seconds, spend more time in the game!*

*The QRPro System is designed for rapid mount/dismount of controllers on your rig!*

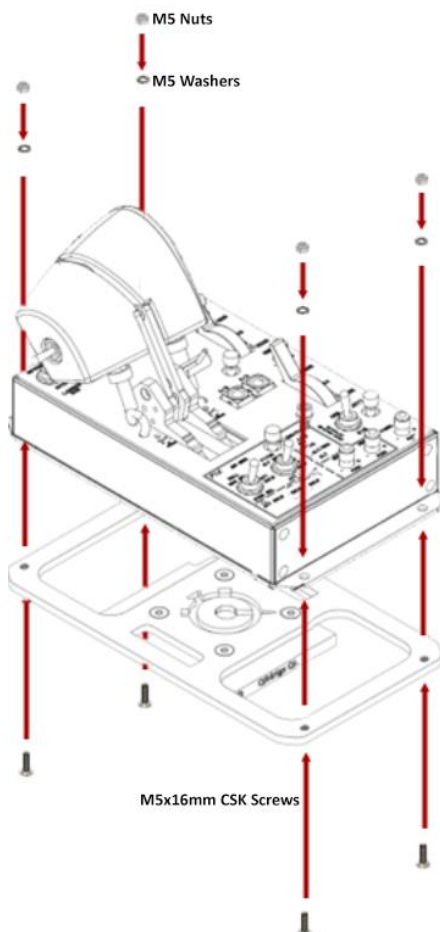
*Note: you will need a QRPro Base Plate mounted to your rig to use this kit.*

## Before attaching the QRPro Winwing Orion 2 Throttle Kit

- Remove the nuts holding each suction foot on. Put the nuts and the feet in a safe place in case you need to put the throttle assembly back to original.



## Attaching the QRPro Winwing Orion 2 Throttle QR Plate Kit



- The QRPro Winwing Orion 2 Throttle QR Plate Kit comes assembled and comprises of a QR Plate and an Adapter Plate.

- The plates are fixed together to be QR mounted from the rear to the front of the rig, but if you require a different orientation, now is a good time to reorientate the adapter plate on the QR Plate by removing the 4x M6x14mm countersunk screws and repositioning before retightening to the pinch + 1/8<sup>th</sup> turn, do not over tighten any metal fixing when attaching to plastic parts.

- Align the QRPro Winwing Orion 2 Throttle QR Plate Kit to the base of the Winwing Orion 2 Throttle Assembly.

- The QRPro Winwing Orion 2 Throttle QR Plate Kit has 4x M5 CSK holes (one in each corner). Push the supplied M5x16mm CSK Allen screws through the holes and through the holes in the Winwing Throttle assembly.

- Use the supplied washers and nuts and fix in place, again avoiding overtightening.

**Do NOT overtighten or you may damage the plastic.**

If you require further support, please use the [contact form on our website](#), or email us directly [support@qr4rigs.com](mailto:support@qr4rigs.com), we will be more than happy to help you.