



# Quick Release Mounts **for** Sim Rigs

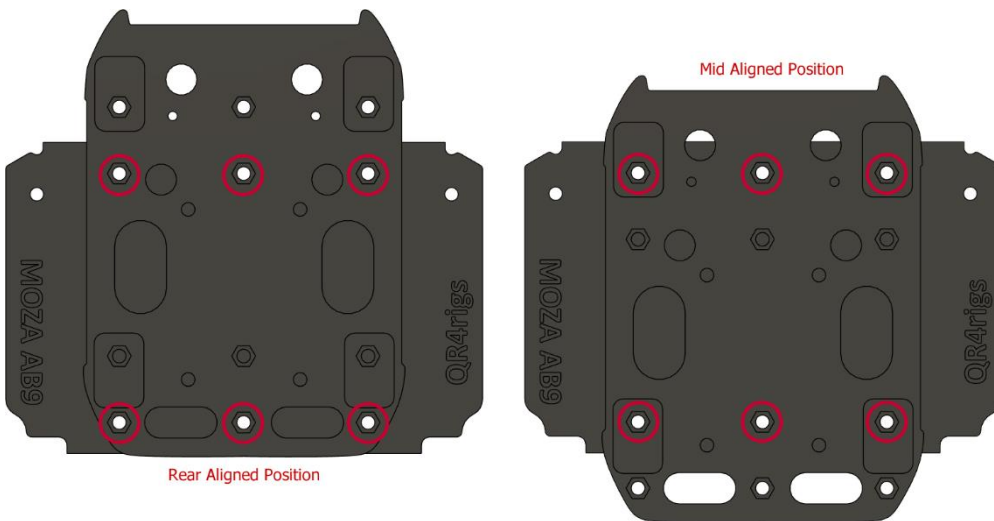
# QR4rigs®

Change your rig in seconds, spend more time in the game!

The QRUHD System is designed for rapid mount/dismount of controllers on your rig that require a little more Heavy Duty. **Note: you will need a QRUHD Base Mount to use this adapter.**

Fitting the QRUHD MOZA AB9 QR Plate Kit to your MOZA AB9 Joystick Base  
 In this guide we assume you are mounting the Joystick in front of the seat centre.

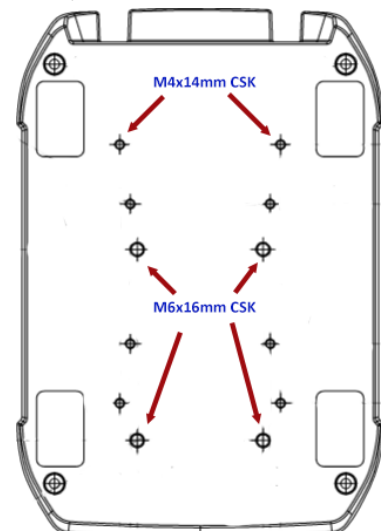
The Adapter Plate is designed to match the shape of the AB9 Base and can be fitted either almost flush with the back of the QR Plate or mounted towards the middle of the QR Plate as shown below. Where you position the joystick will be dependant on how you have the QRUHD Base Mount positioned in relationship with your chair. Most scenarios will make use of the rear aligned position and the mounting direction from the front of the rig towards the rear as it is designed to be.

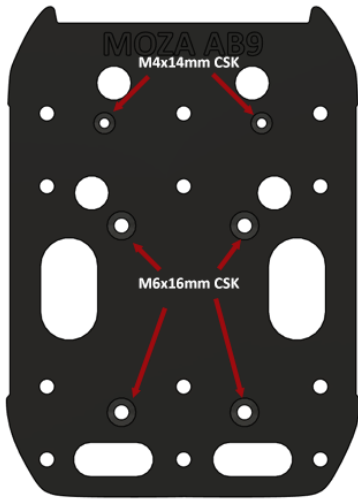


Once you have chosen the position you wish to mount the adapter plate on to the QR Plate, insert the six M6 Nuts into the appropriate hexagonal holes (circled in red above for each option), you may have to give them a little push to get them in but this is intentional so they don't fall out during the assembly process. Do NOT attach the Adapter Plate to the QR Plate yet!

Next, flip over your Joystick base so you can see the underside of the base plate and the Adapter Plate.

Identify the 6 fixing points shown in the diagram on the right and find the correct screws from the included fixing kit.





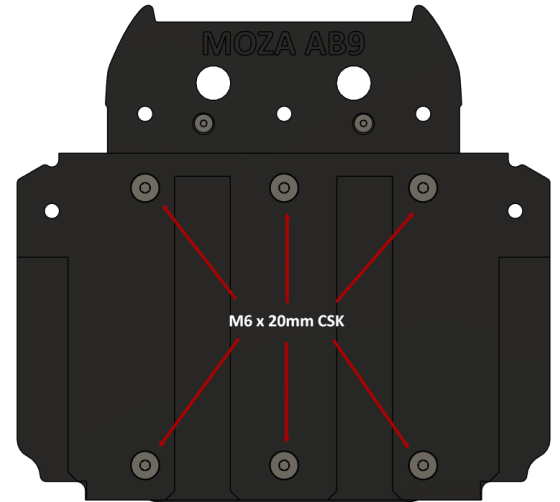
Place the Adapter Plate on to the bottom of the Joystick base and fix in place to the Joystick base in to the threaded holes using the screws supplied in the kit as shown left.

- 2x M4x14mm CSK Screws
- 4x M6x16mm CSK Screws

Tighten well.

Keeping the assembly inverted, use the six M6x20mm Fixings supplied in the kit into the six nuts you inserted earlier, to secure the QR Plate to the Adapter Plate.

Tighten well.



#### NOTES:

In use, **always** use the 2x Thumbscrews/M6 Form 'G' washers that are supplied with the QRUHD Base Mount to secure the QR Plate to the QRUHD Base Mount once locked in place.

**Always** only use the QR Levers when the Thumbscrews are removed to lock/unlock the QR Plate.

**Never** use the QR Levers to eject heavy devices, just unlock them a little and then use both hands to remove the controller/QR Assembly

It is possible to fix the Adapter Plate rotated 180° if you need to mount from the rear towards the front, such as on a wheel table in front of you.